

# MD-2702 CLINICAL REVIEW MONITOR



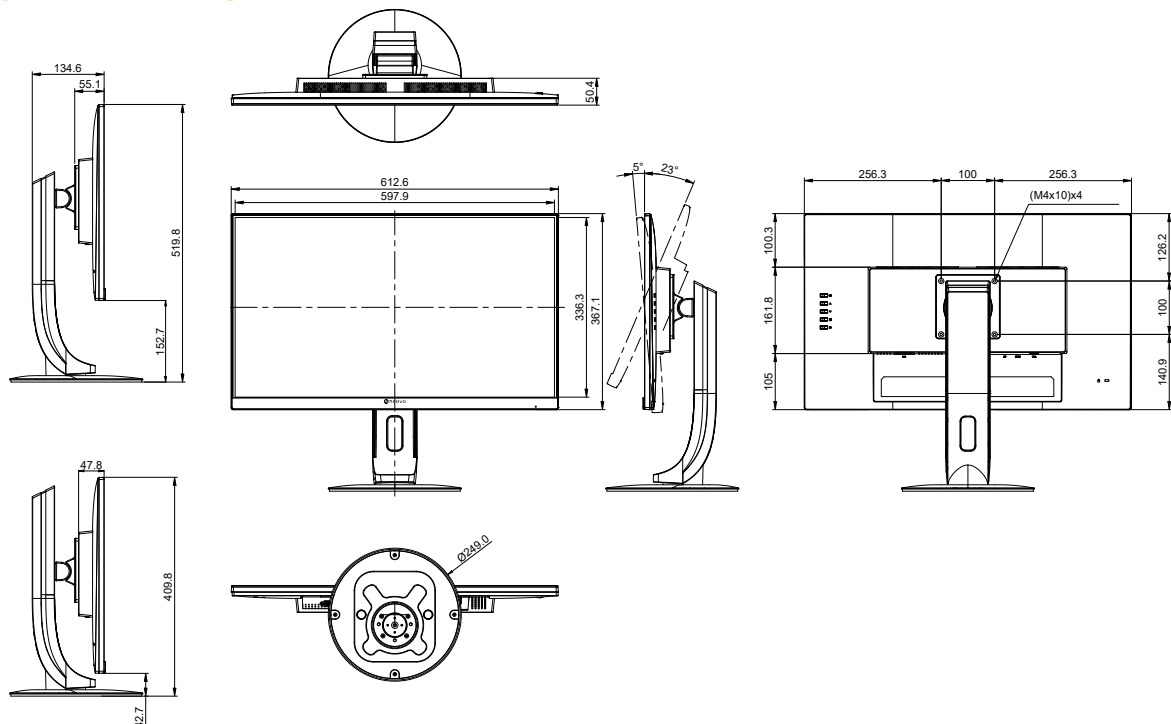
## FEATURES

- Full HD 1920 x 1080 resolution
- 178° /178° wide viewing angle
- Support DICOM Part 14 with calibrated greyscale and brightness
- Crisp 20,000,000:1 dynamic contrast ratio
- 3-sided narrow bezel design for seamless multi-display setups
- Medical adapter certified to the IEC/EN 60601-1 medical standard
- White exterior design for easy contaminant detection
- Versatile Connectivity: DisplayPort, HDMI and VGA
- HDMI inputs for Full HD connectivity with a variety of devices
- Selectable aspect ratio
- VESA mounting for flexible installation in healthcare settings
- Height adjustable stand allows users to tilt, pivot and swivel



Featuring DICOM preset and medical-grade power supply, the MD-2702 clinical review monitor ensures correct and consistent brightness and greyscale levels of medical images in detail at any viewing angle. Its image stability, medical-grade power supply, and VESA-compatible mounts give clinical professionals confidence in clinical review and easy to set up a mobile workstation while meeting the standards of premium quality assurance and financial benefits.

## TECHNICAL DRAWING



## SPECIFICATIONS

### Panel

Panel Type	LED-Backlit TFT LCD (VA Technology)
Panel Size	27.0"
Max. Resolution	FHD 1920 x 1080
Pixel Pitch	0.311 mm
Brightness	300 cd/m <sup>2</sup> 180 cd/m <sup>2</sup> (DICOM Preset)
Contrast Ratio	20,000,000:1 (DCR)
Viewing Angle (H/V)	178°/178°
Display Colour	16.7M
Response Time	5 ms

### Frequency

Frequency (H)	30 kHz-83 KHz
Frequency (V)	50 Hz-76 Hz

### Signal Input

DisplayPort	x 1
HDMI	1.4 x 1
VGA	15-Pin D-Sub x 1

### Power

Power Supply	External
Power Requirements	DC 12V, 2.5A
On Mode	16W (On)
Stand-by Mode	< 0.3W
Off Mode	< 0.2W

### Operating Conditions

Temperature	0°C-40°C (32°F-104°F)
Humidity	10%-85% (non-condensing)

### Storage Conditions

Temperature	-25°C-55°C (-13°F-131°F)
Humidity	5%-93%(non-condensing)

### Mounting

VESA FPM PMI	Yes (100 x 100 mm)
--------------	--------------------

### Stand

Tilt	-5° to 23°
Pivot	-2.5° to 92.5°
Swivel	± 65°
Height Adjustment	0-110 mm

### Security

Kensington Security Slot	Yes
--------------------------	-----

### Dimensions

Product with Base (W x H x D)	612.6 x 519.8 x 249.0 mm (24.1" x 20.5" x 9.8")
Product w/o Base (W x H x D)	612.6 x 367.1 x 50.4 mm (24.1" x 14.6" x 2.0")
Packaging (W x H x D)	700.0 x 456.0 x 282.0 mm (27.6" x 18.0" x 11.1")

### Weight

Product w/o Base	3.7 kg (8.2 lb)
Product with Base	6.1 kg (14.5 lb)
Packaging	8.8 kg (19.4 lb)

### Regulation Approval

Certifications & Compliance	CE, LVD, WEEE, RoHS, REACH, EAC, UKCA, BSMI
Power Adaptor Certifications	ADAPTER/ATM065T-P120: CE, FCC, PSE, WEEE, BSMI, Medical Grade

### Accessories

Supplied	Power Adaptor, Power Cord, HDMI Cable, Quick Start Guide, Warranty Card
----------	---

### Optional Accessories

Ceiling Mount (Landscape only)	CMP-01+WMK-03
Wall Mount (Landscape only)	WMA-01, WMK-01, WMK-03, PMK-01
Desk Mount (Landscape only)	DMC-01, ES-02

