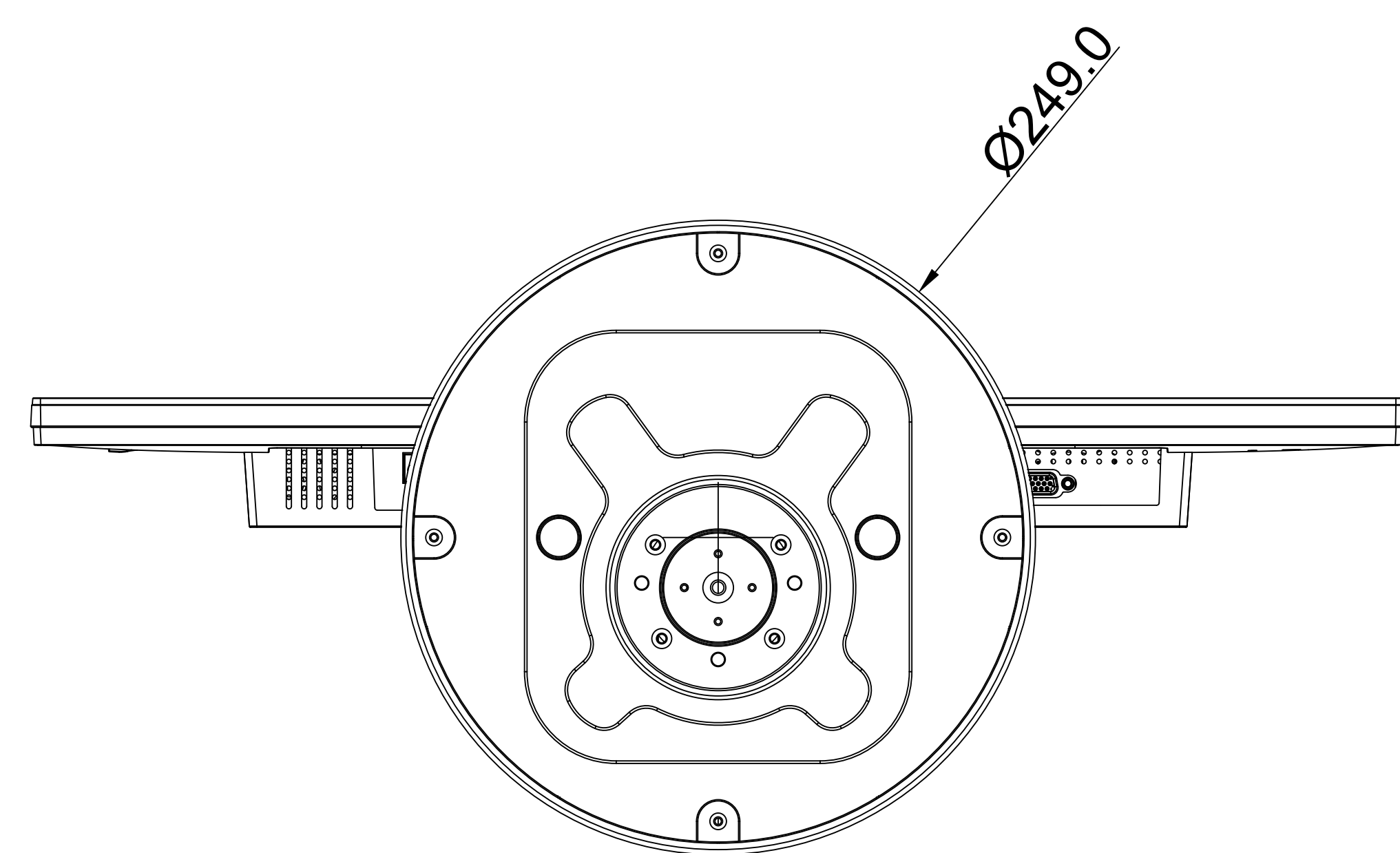
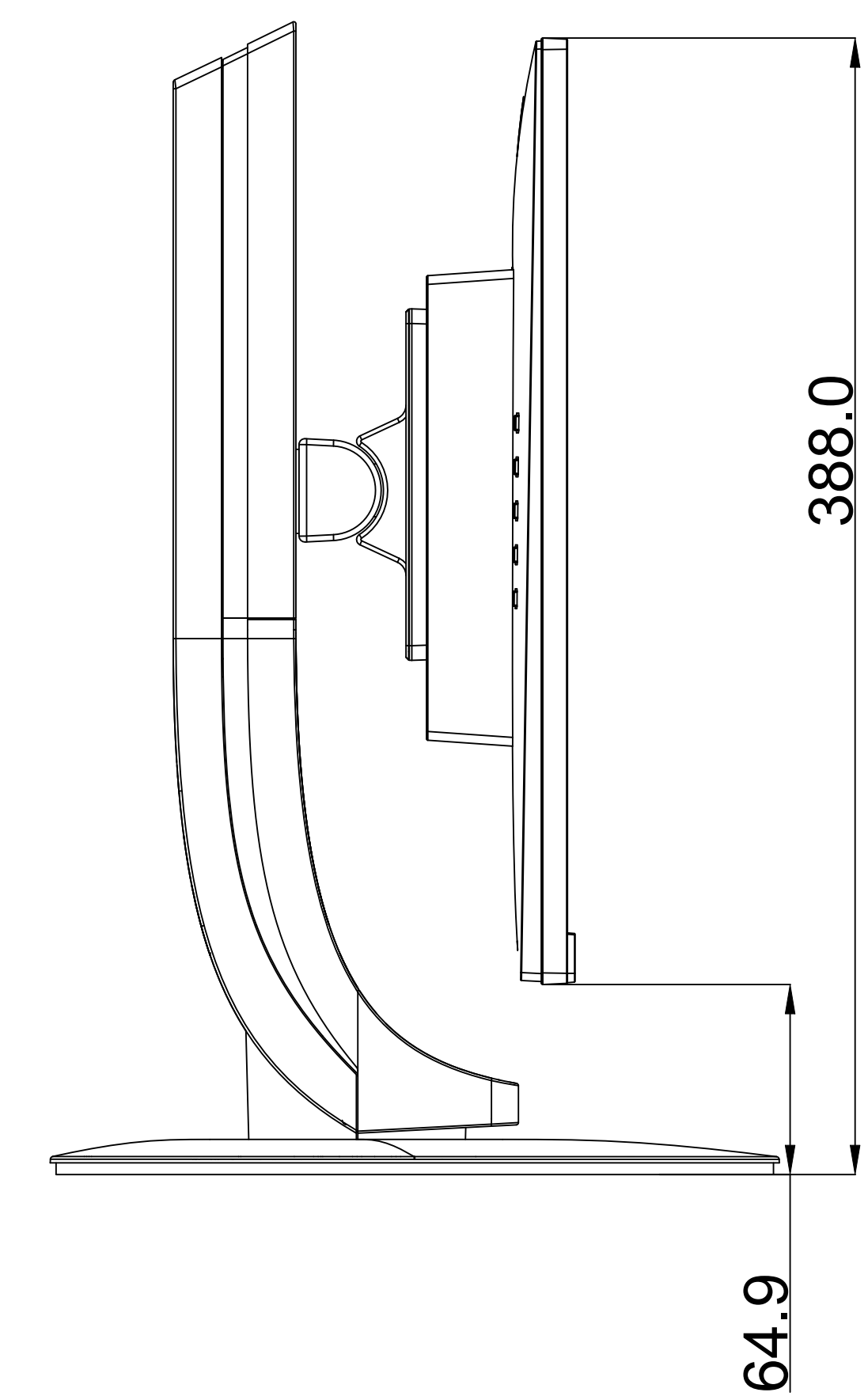
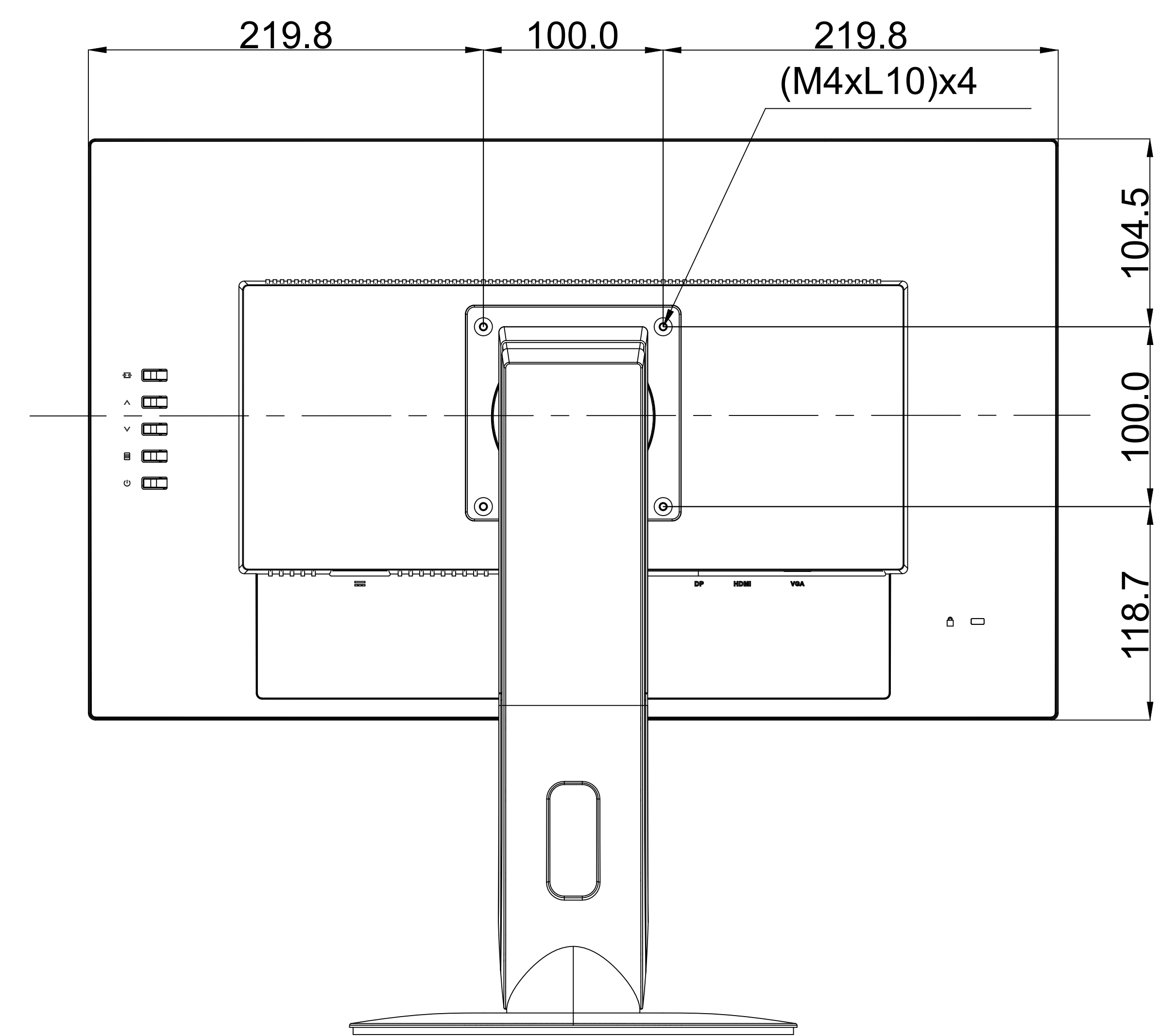

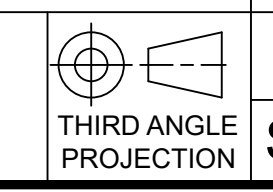


MD-2402
 Net weight : 5.21kg(with stand)
 2.81kg(w/o stand)



SPECIFICATIONS SUBJECT TO CHANGE WITHOUT NOTICE.

 www.agneovo.com	Model Name:	
	MD-2402	
<small>THIS DRAWING ON THIS PRINT AND INFORMATION BELONG WITH AG Neovo. ANY REPRODUCTION IN PART OR WHOLE WITHOUT WRITTEN PERMISSION OF AG Neovo IS PROHIBITED.</small>	 <small>THIRD ANGLE PROJECTION</small>	P/C:MD2420 SCALE 1:1 UNITS mm V.1.01